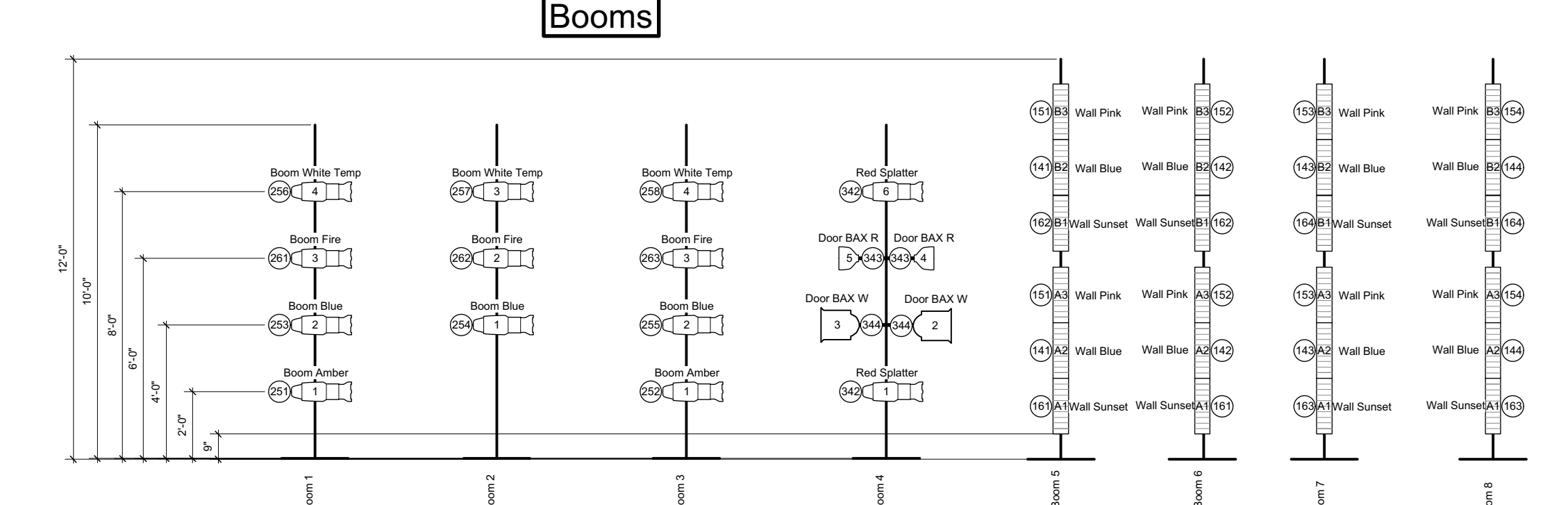
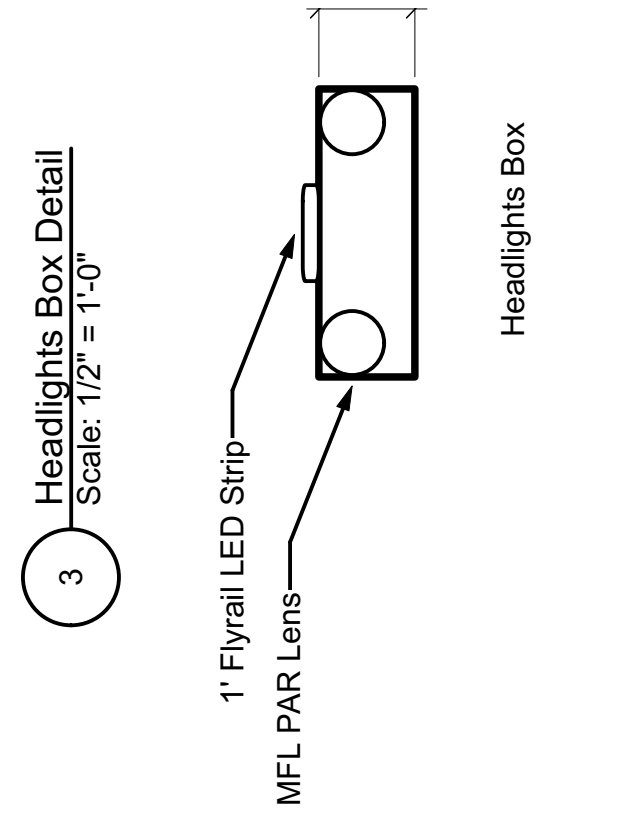
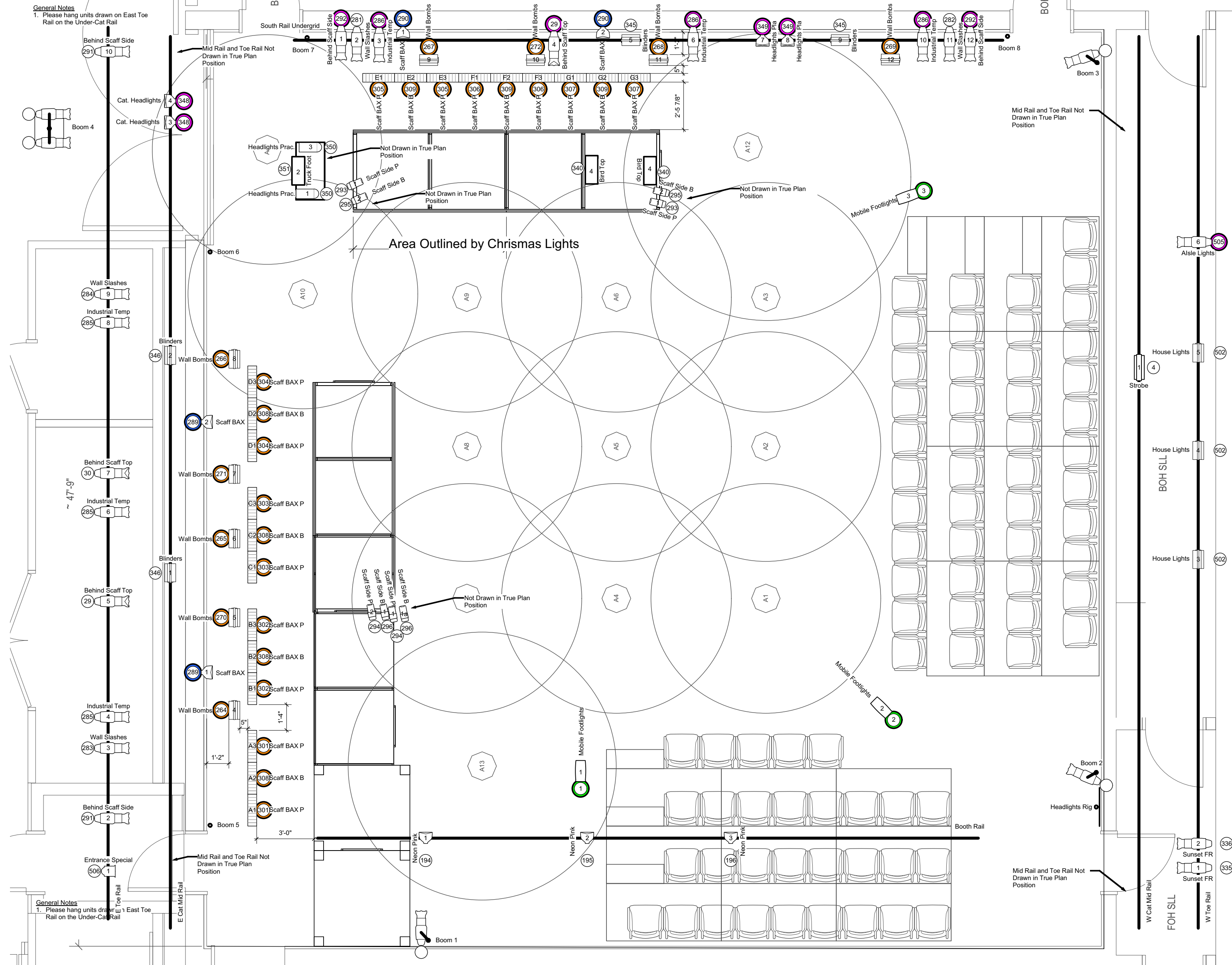


Light	Quantity
ETC Source4 19deg	15
ETC Source4 26deg	20
ETC Source4 36deg	79
ETC Source4 50deg	46
ETC Source4 70deg	11
<b>Total</b>	<b>171</b>
ETC Source4 PAR VNSP	6
ETC Source4 PAR MFL	21
ETC Source4 PAR WFL	11
<b>Total</b>	<b>38</b>
Altman Micro Ellipse	8
Altman PAR 56 MFL	2
6" Fres	7
Selecon Arena Theatre Fresnel	18
Selecon HUI CYC 1	16
Robe ParFect 100	3
Diversitronics 3000	1
<b>Total</b>	<b>55</b>
Altman MicroStrip 3 Circuits	45

- Means Unit has been Lamped Up
- Means Unit should be Out-Hung
- Means Unit should be Hung as High on a Vertical as Possible
- Indicates a Permanently Floor-Mounted Unit
- Indicates a Mobile Floor-Mounted Unit
- Indicates a Unit Mounted to Top Piece of Unistrut
- Indicates 1' Flyrail LED Strip



2 Booms Detail  
Scale: 1/4" = 1'-0"

<b>UMBC Theatre: Anon(ymous)</b>			
Director: Eve Muson		PLATE: <span style="font-size: 2em; font-weight: bold;">2</span>	
SCENIC DESIGNER: KIRSTEN JOLLY			
COSTUMES: Megan Hromek	LIGHTING: Corey Goulden Naitove		2
SOUND: Kristin Hamby	T.D.: Nicholas Colantuono		
SCALE: 1/4"=1'	DATE: 02/21/2019	DRAWING.: Undergrid Light Plot	