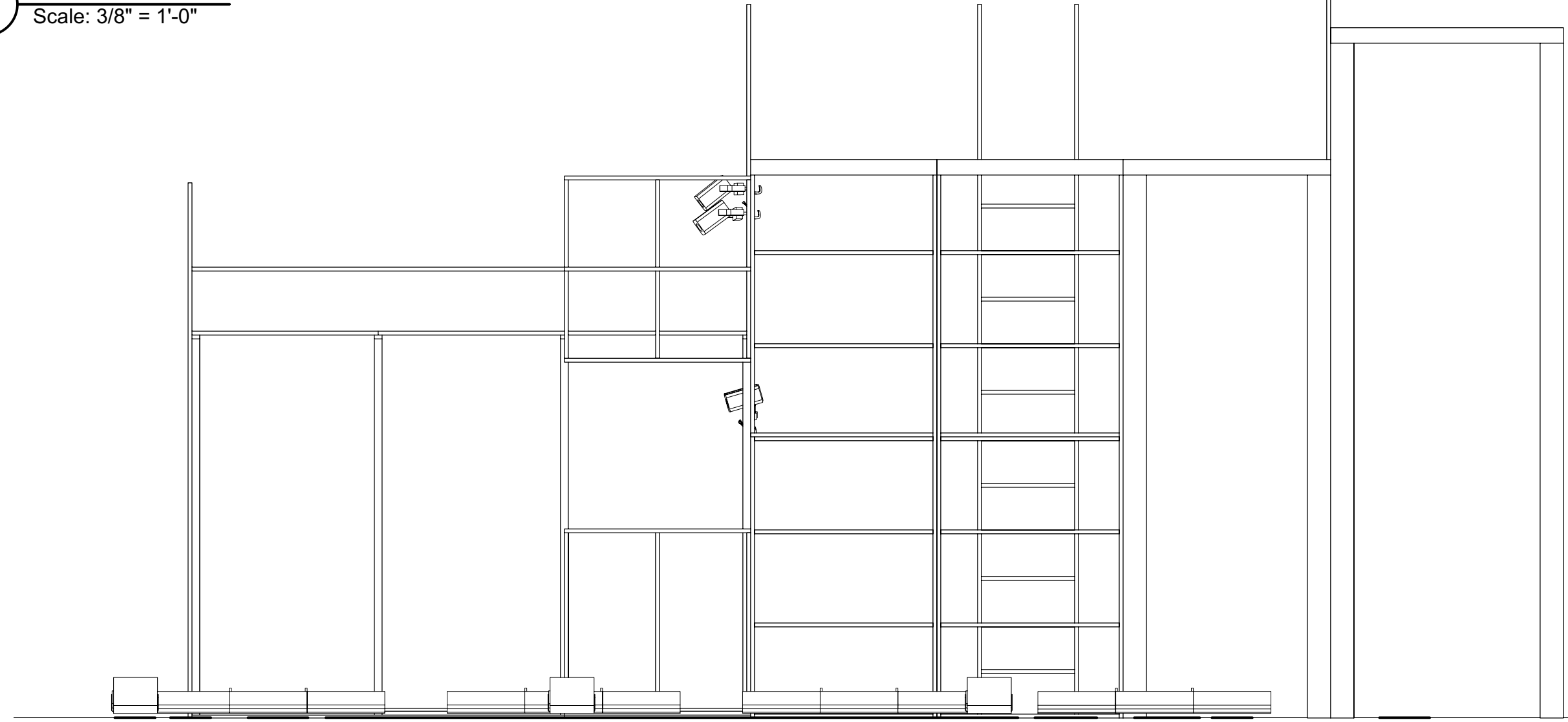
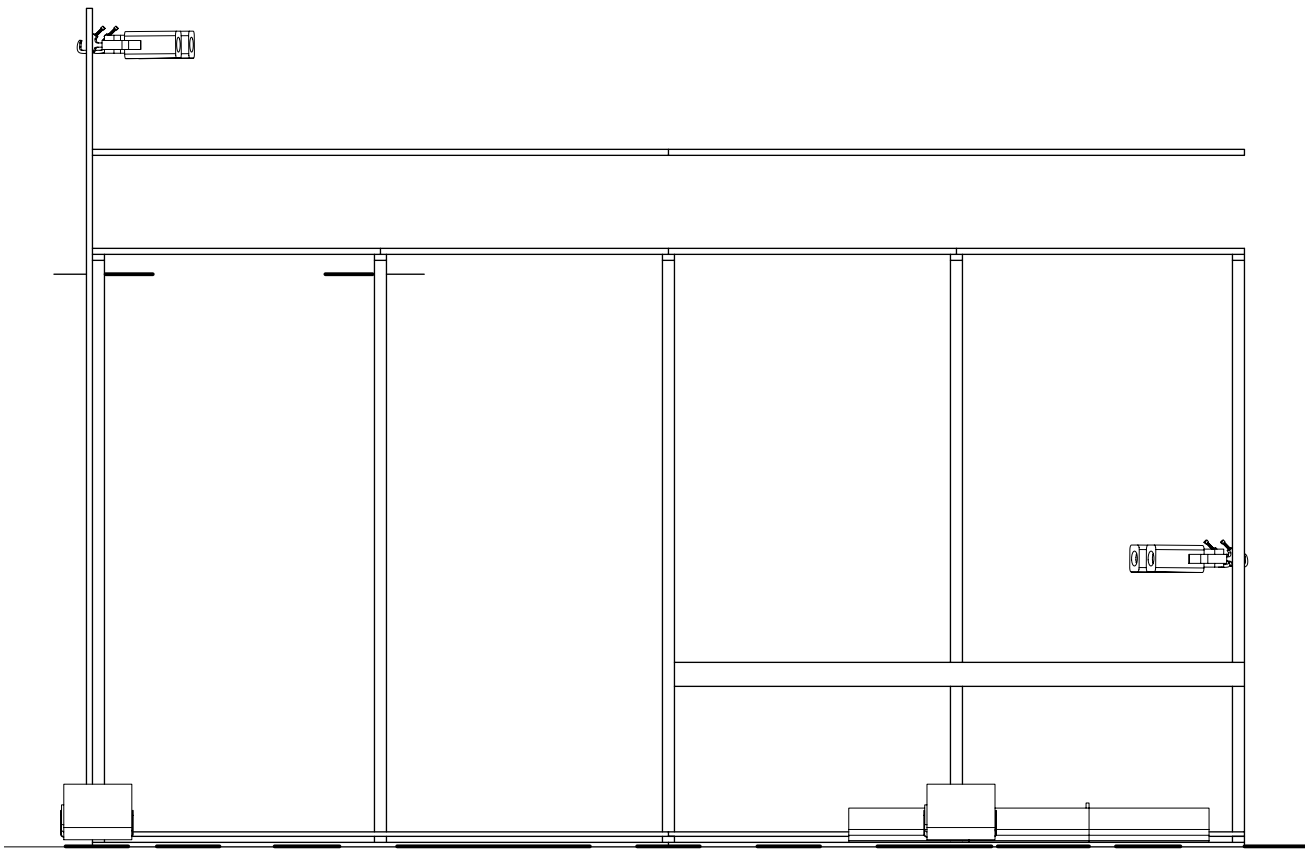


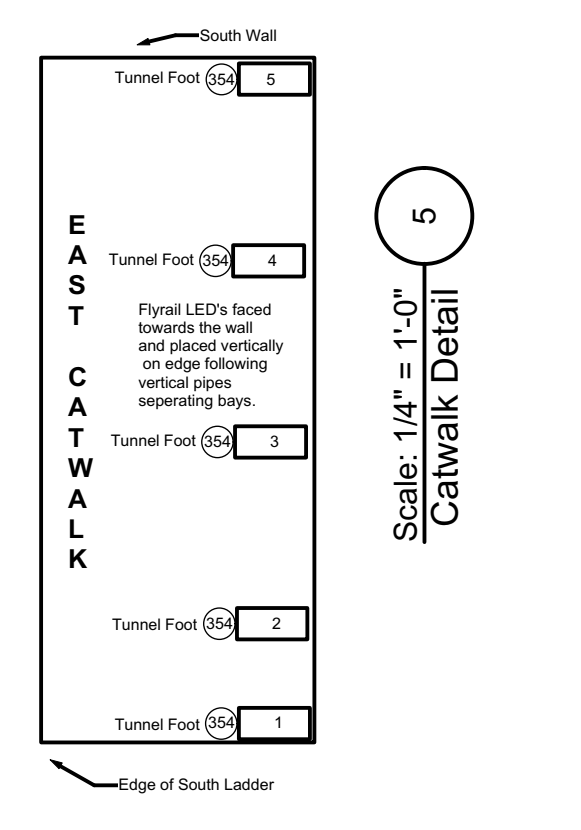
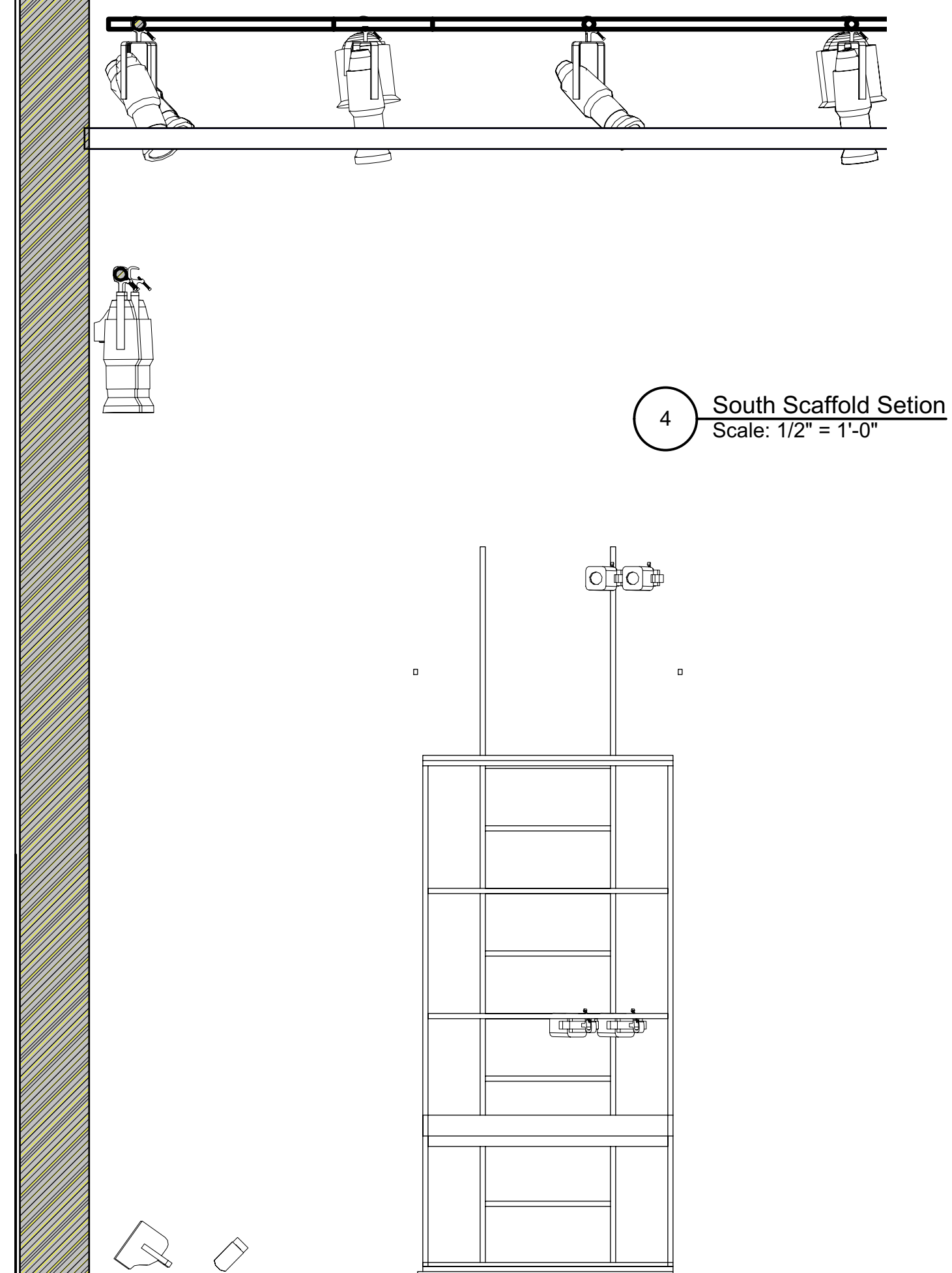
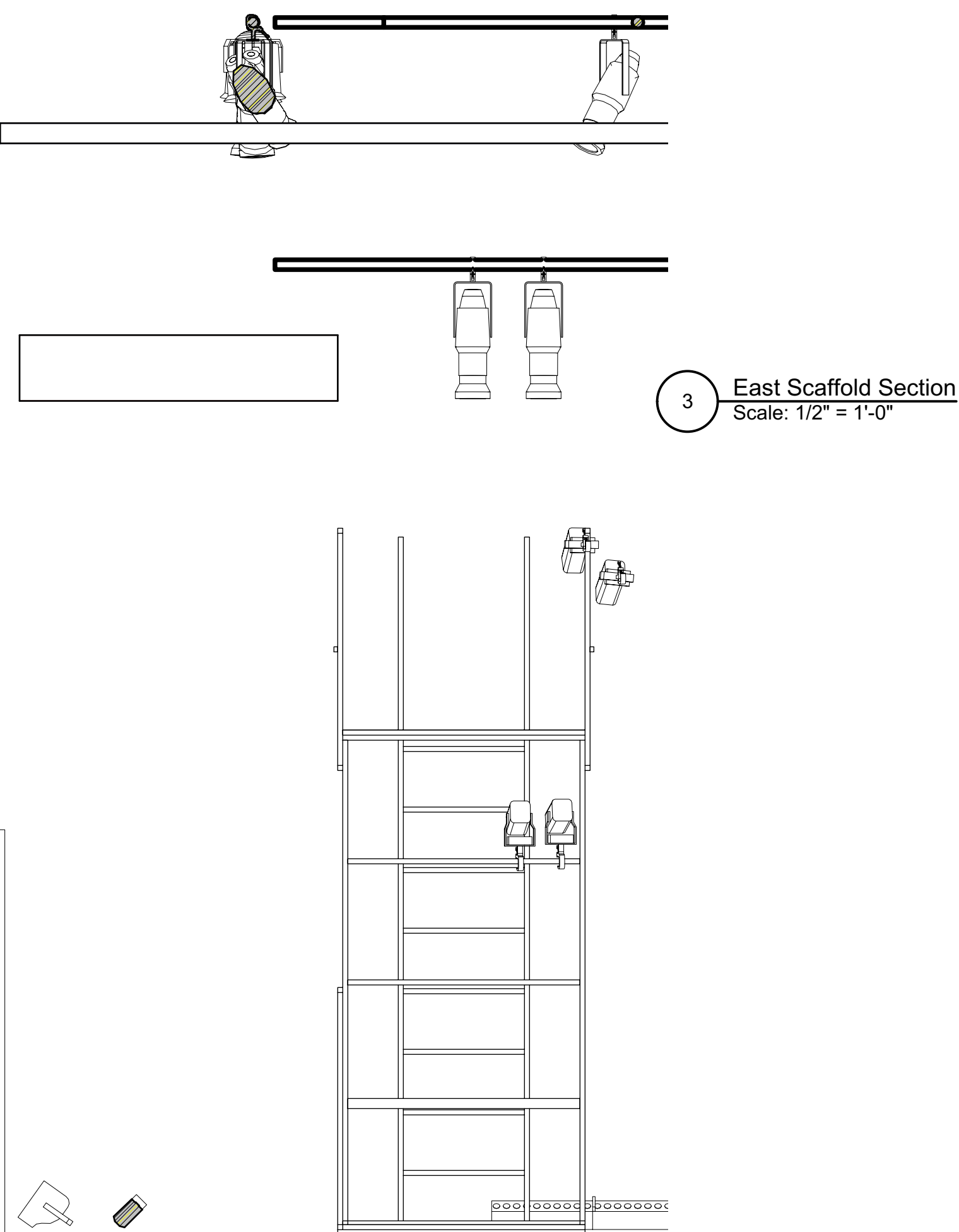
1 West Scaffold Side
Scale: 3/8" = 1'-0"

2 East Scaffold Side
Scale: 3/8" = 1'-0"



3 East Scaffold Section
Scale: 1/2" = 1'-0"

4 South Scaffold Section
Scale: 1/2" = 1'-0"



5
Scale: 1/4" = 1'-0"
Catwalk Detail

Light		
	ETC Source4 19deg	15
	ETC Source4 26deg	20
	ETC Source4 36deg	79
	ETC Source4 50deg	46
	ETC Source4 70deg	11
	Total	171
	ETC Source4 PAR VNSP	6
	ETC Source4 PAR MFL	21
	ETC Source4 PAR WFL	11
	Total	38
	Altman Micro Ellipse	8
	Altman PAR 56 MFL	2
	6" Fres	7
	Selecon Arena Theatre Fresnel	18
	Selecon HUI CYC 1	16
	Robe ParFect 100	3
	Diverstronics 3000	1
	Total	55
	Altman MicroStrip 3 Circuits	45
Typical		

- Means Unit has been Lamped Up
- Means Unit should be Out-Hung
- Means Unit should be Hung as High on a Vertical as Possible
- Indicates a Permanently Floor-Mounted Unit
- Indicates a Mobile Floor-Mounted Unit
- Indicates a Unit Mounted to Top Piece of Unistrut
- Indicates 1' Flyrail LED Strip

UMBC Theatre: Anon(ymous)



Director: Eve Muson	
SCENIC DESIGNER: KIRSTEN JOLLY	
COSTUMES: Megan Hromek	LIGHTING: Corey Goulden Naitove
SOUND: Kristin Hamby	T.D.: Nicholas Colantuono
SCALE: 1/2"=1'	DATE: 02/21/2019
DRAWING: Lighting Section	